

HKB100S7A05 (ORDER NO. 105134)

Handwheel HKB

- ▶ 100 detents per revolution
- ▶ Wear-free magnetic detent mechanism
- ▶ 100 pulses per revolution
- ▶ Ideal for flat machine panels and small, light hand-held pendant stations like the housing HBA/HBM

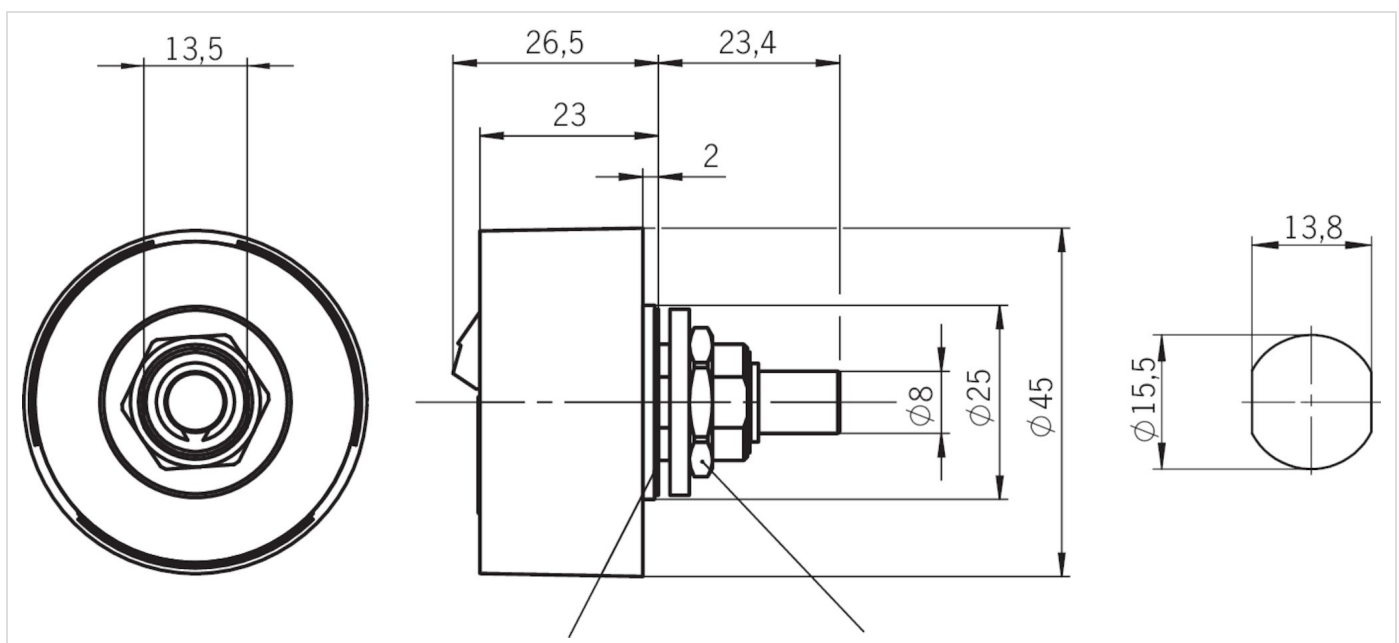


Description

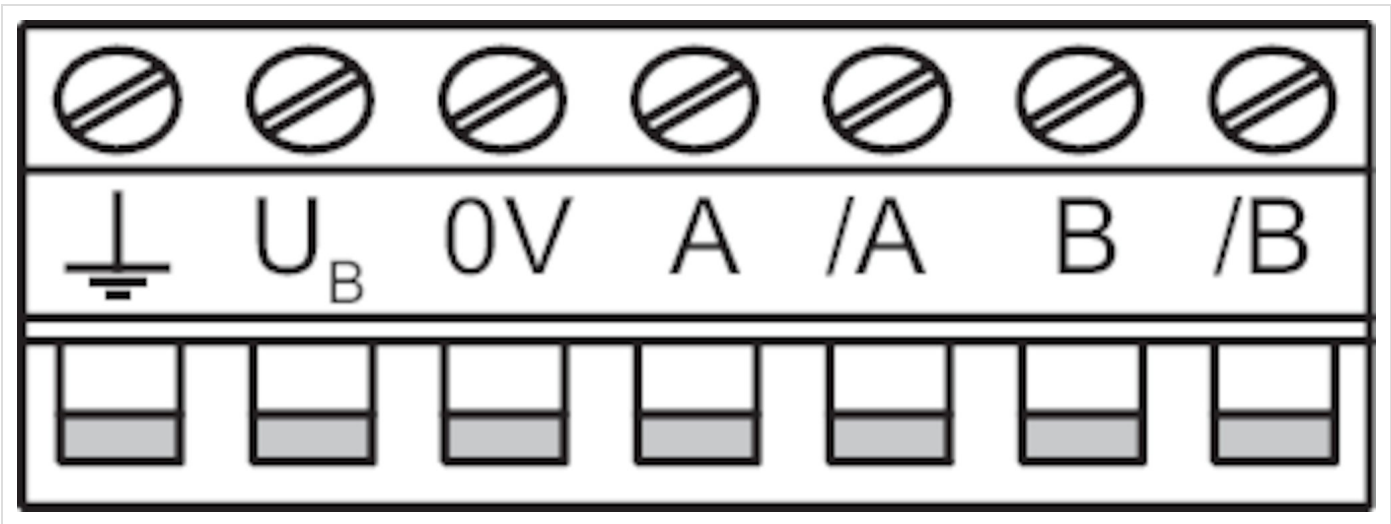
Notes

- ▶ Output A05 suitable for Siemens control systems with RS422 input

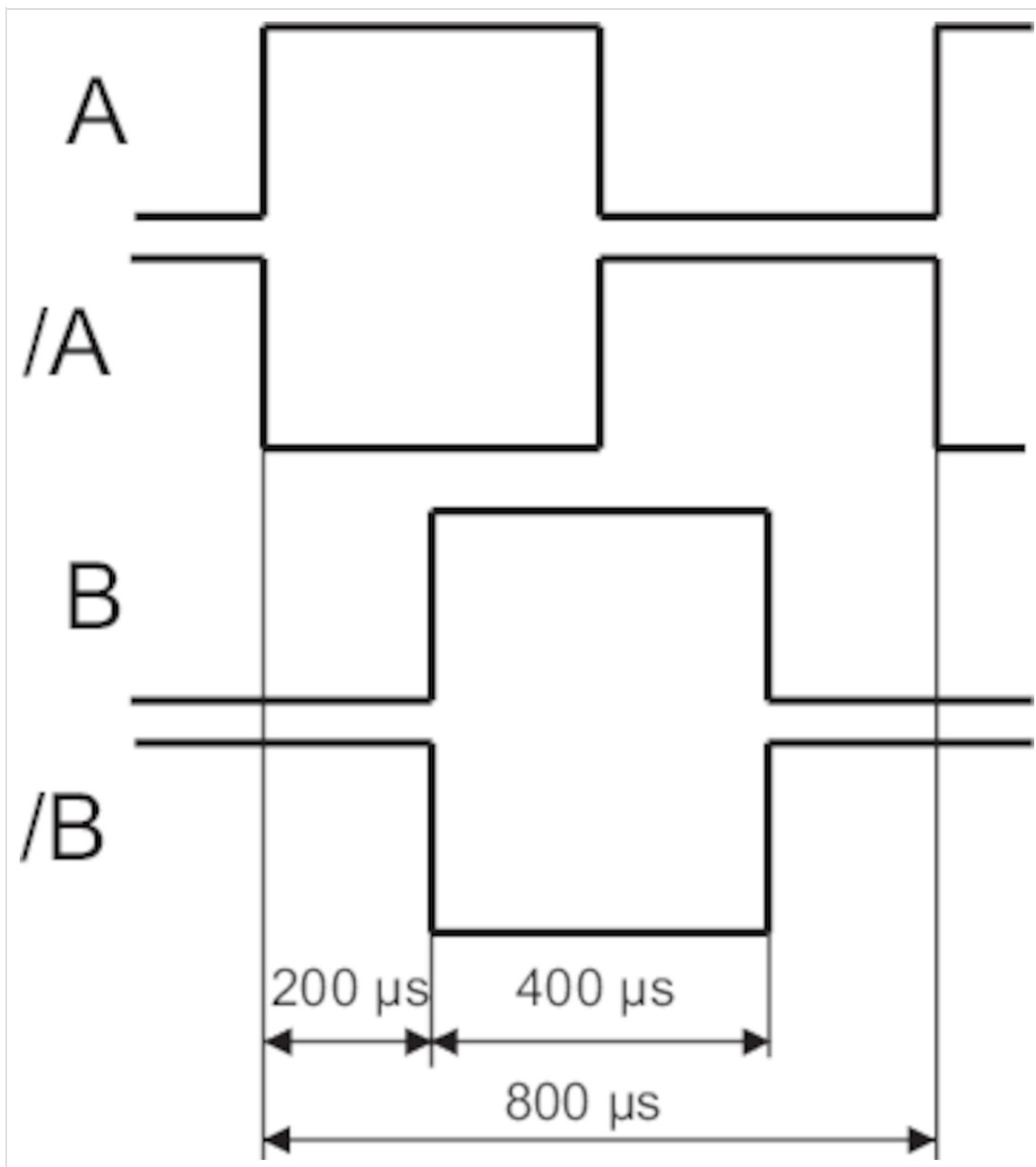
Dimension drawing



Wiring diagram



Ausgangssignale



Technical data

Approvals

Mechanical values and environment

Shock and vibration resistance	Acc. to EN 60068-2-27/-2-6
Material	Aluminum
Weight	
	Net 0.095 (Without dial)
Ambient temperature	0 ... +50 °C
Atmospheric humidity	
	(condensation not permissible) 80 % rH
Degree of protection	IP65 (On the front)
	acc. to NEMA 250 250-12 (On the front)
Tightening torque	max.0,25 Nm
Connection	Screw terminal
Detent positions per revolution	100

Electrical connection ratings

Operating voltage DC	5 V DC -5% ... +5%
Current consumption	
	Without load max.80 mA
EMC protection requirements	
	Acc. to CE EN 61000-6-2, EN 61000-6-4
Type of output	RS422
Connection cross-section	0,08 ... 1,5 mm ²
Connection cross-section, AWG	28 ... 16 AWG
Pulses per revolution	2x100
Output voltage	In accordance with RS422A

Other

Detent mechanism	Magnetic
------------------	----------

Accessories

Function expansion

Metal dial for handwheel HKB, for installation in machine panel or HBA/HBM



111992
EINSTELLRAD HKB 66,5 METALL
SIL/SW

Metal dial for handwheel HKB, suitable for front panels HKB



100914
EINSTELLRAD HKB 58 METALL
SIL/SW

Plastic dial for handwheel HKB, for installation in machine panel or HBA/HBM



105961
EINSTELLRAD HKB/HBA

Contacts

🏠 EUCHNER GmbH + Co. KG
Kohlhammerstraße 16
70771 Leinfelden-Echterdingen

☎ +49 711 7597-0

📠 +49 711 753316

✉ [info\(at\)euchner.de](mailto:info(at)euchner.de)